

<b>JOB NAME:</b>	<b>CONTRACTOR:</b>
<b>JOB LOCATION:</b>	<b>APPROVAL:</b>
<b>ENGINEER:</b>	<b>CONTRACTOR P.O.:</b>
<b>APPROVAL:</b>	<b>REPRESENTATIVE:</b>

## 1570 LF

**LEAD FREE BRASS BALL VALVE W EURO-PRESS ENDS**  
**SIZES 1/2" TO 2"**

## 1570XLC LF

**LEAD FREE BRASS BALL VALVE W EURO-PRESS ENDS**  
**SIZES 2-1/2" TO 4"**

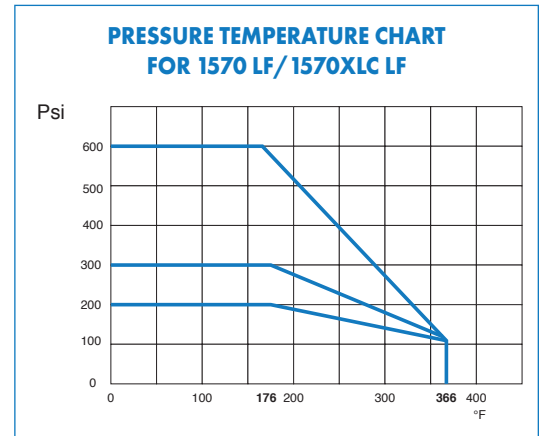
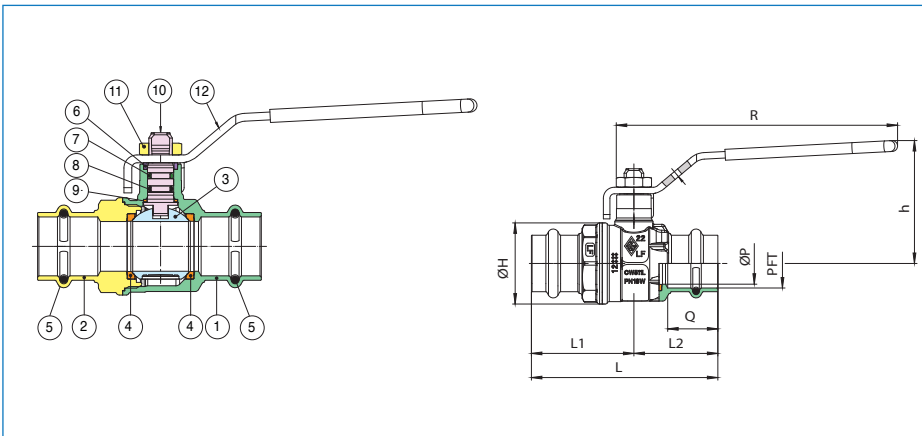
### VALVE FEATURES

- **1670LF** - Full Port LF Brass, Sizes 1/2" to 2"
- **1670XLC LF** - Full Port LF Brass, Sizes 2-1/2" to 4"
- Pressure rating 600 CWP, working pressure 200 psi
- Temperature range -4°F to 250°F
- Blow out proof stem, T.E.A. coated LF brass ball
- P.T.F.E. seats and double O-ring stem packing
- 100% electronically tested in the open and closed position at 80 psi
- Valve to used in full open or fully closed position
- Made in lead free dezincification resistant brass (LF-DZR)
- Press alert O-rings

### SPECIFICATIONS

A Lead Free 2-Piece Adapter Loaded Style, Full Port Brass Ball Valve. The Valve shall be made of DZR Material, Specification No.CW511L, and Also be made from a high tensile strength brass forging for maximum resistance to porosity.

All wetted parts must be made from CW510L or CW511L alloy, and contain no Bismuth or Silicone. The valve shall contain less than .20% lead content and be approved to NSF 372. The ball shall be T.E.A. coated for guaranteed wear, corrosion and porosity resistance.



N POS	PART NAME	MATERIAL	N POS
1	BODY	LF DZR BRASS C27453*	1
2	END CONNECTION	LF DZR BRASS C27453*	1
3	BALL	BRASS C28500*	1
4	BALL SEAT	P.T.F.E.	1
5	O-RING	EPDM	2
6	PACKING RING	P.T.F.E.	2
7	O-RING	FKM (Viton)	1
8	O-RING	NBR	1
9	THRUST WASHER	P.T.F.E.	1
10	STEM	LF BRASS C28500*	1
11	NUT	STEEL CL04	1
12	HANDLE	STEEL DD11	1

SIZE	ØP	Q	ØH	L	L1	L2	h	R	Cv	Max Work Press psi	Max Test Press psi	Weight (Lbs.)
1/2"	0.55	0.71	1.22	2.93	1.62	1.31	1.77	3.78	18.15	200	600	0.44
3/4"	0.75	0.91	1.46	3.37	1.85	1.52	2.22	4.76	32.37	200	600	0.72
1"	0.94	0.94	1.76	3.81	2.11	1.70	2.32	4.76	47.98	200	600	1.12
1-1/4"	1.19	1.02	2.11	4.17	2.24	1.93	2.85	5.94	97.80	200	600	1.55
1-1/2"	1.50	1.42	2.64	5.23	2.78	2.45	3.09	5.94	252.60	200	600	2.51
2"	1.95	1.57	3.39	6.27	3.29	2.98	3.70	6.30	290.75	200	600	4.48
2-1/2"	2.44	1.65	4.09	7.05	3.76	3.29	4.57	8.07	593.06	200	300	8.70
3"	2.99	1.91	4.96	8.27	4.45	3.82	4.98	8.07	958.84	200	300	13.60
4"	3.94	2.42	6.54	10.26	5.28	4.98	6.54	10.31	1526.59	200	200	28.39

\* Lead free refers to the wetted surface of pipe, fittings and fixtures in potable water systems that have a weighted average lead content=0.25%. Source: California health & Safety code (116875). Vermont Act 193.